

#8 x 3/4" PAN  
HEAD PHILLIPS

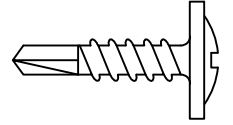
SCREW BRACKETS  
TO THE WOOD BASE

ROTATING PLATES  
UNDERNEATH BRACKET

ISO VIEW

4-Way Base Detail

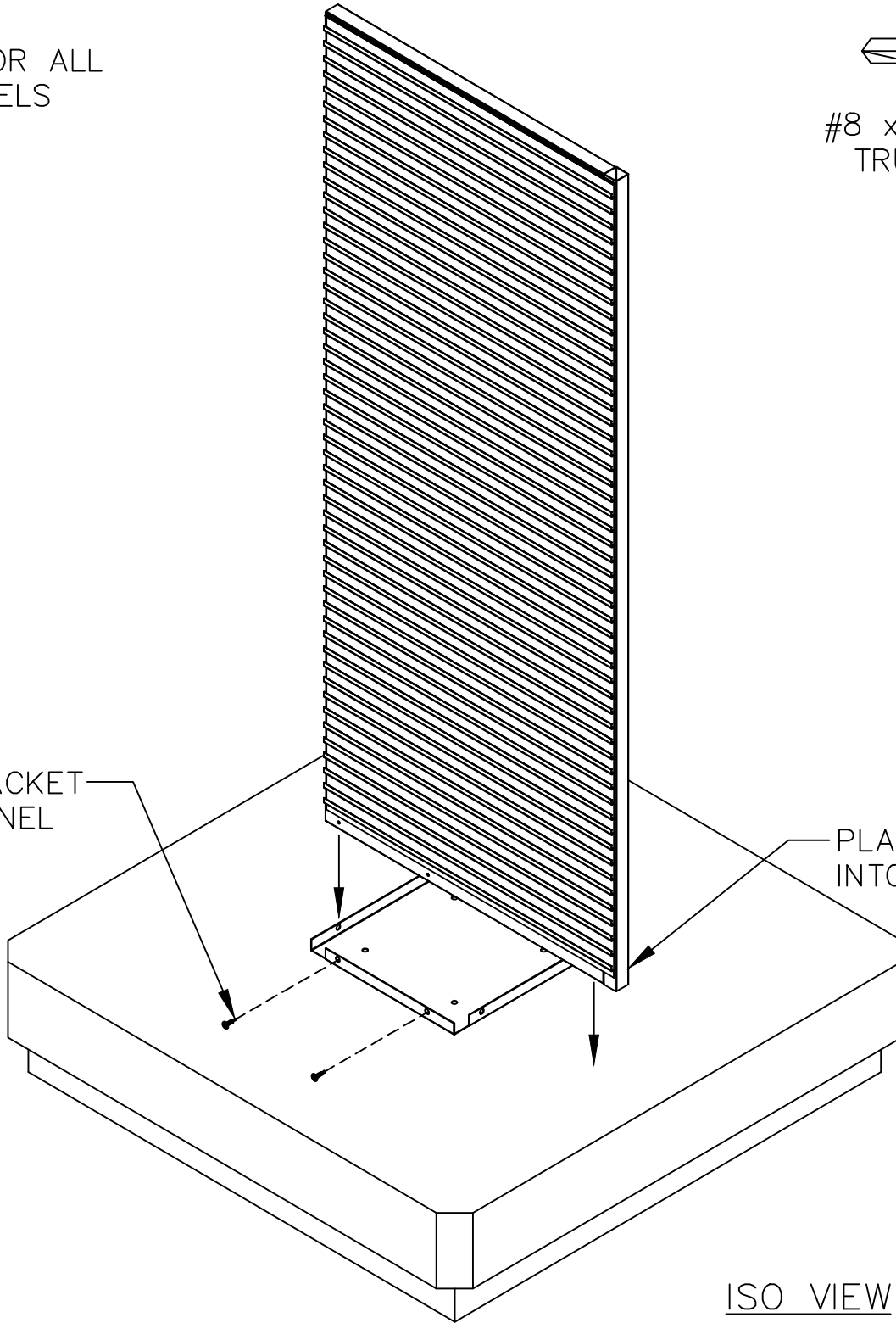
NOTE:  
REPEAT FOR ALL  
FOUR PANELS



#8 x 1/2" MOD.  
TRUSS HEAD

SCREW BRACKET  
TO THE PANEL

PLACE PANEL  
INTO BRACKET

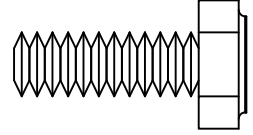


ISO VIEW

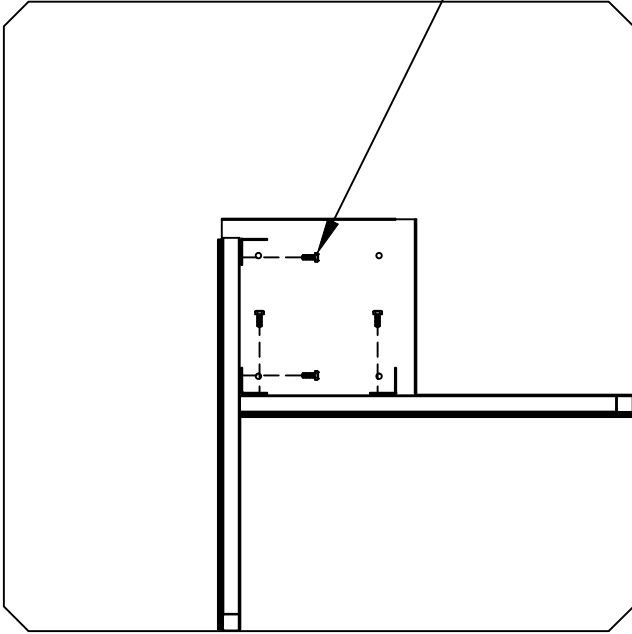
4-Way Panel Detail

NOTE:  
REPEAT FOR ALL  
FOUR PANELS

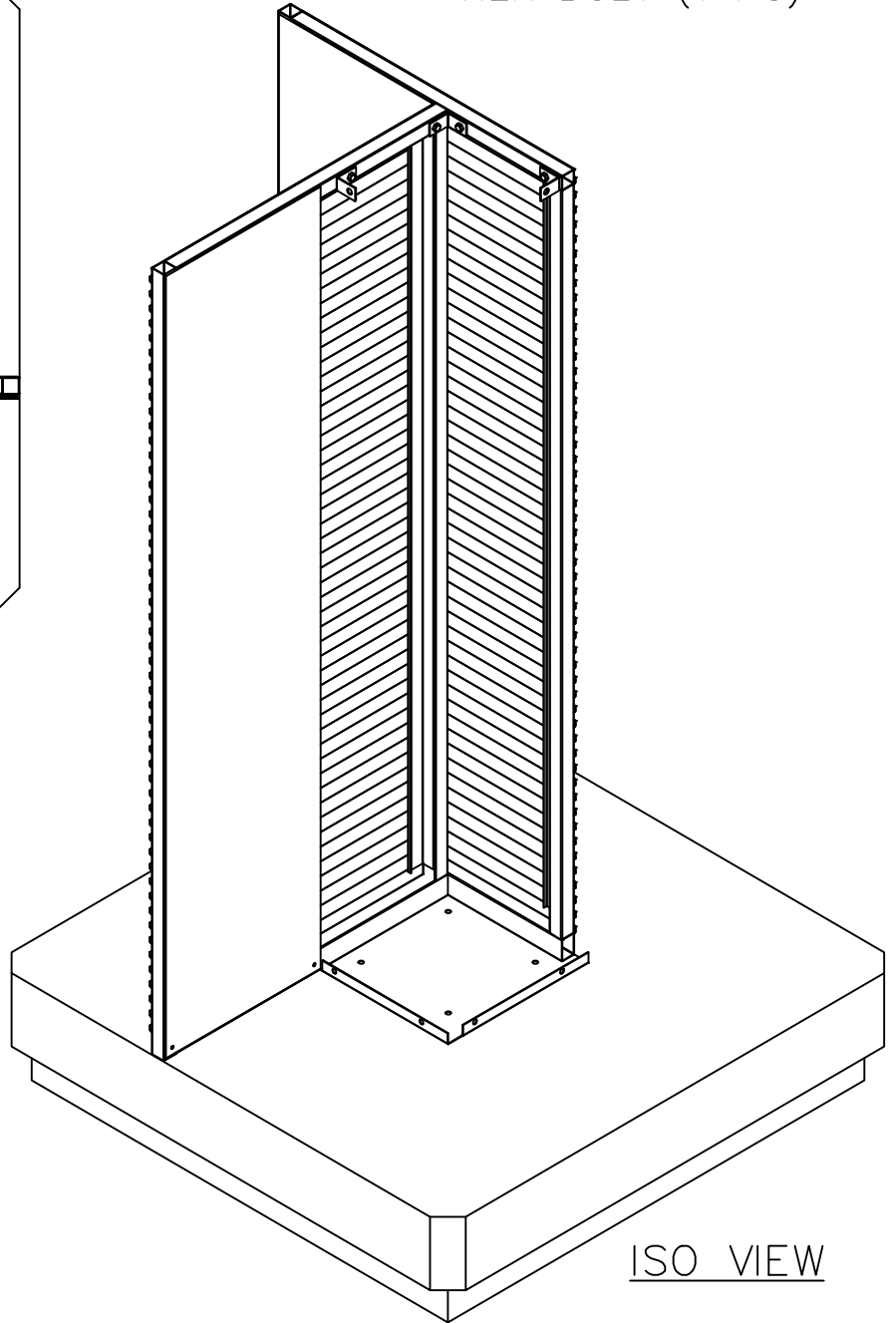
BOLT "L" BRACKET  
TO PANEL



1/4-20 X 3/4" L  
HEX BOLT (1 PC)



SIDE VIEW



ISO VIEW

4-Way Panel Detail 2

**UNIWEB INC.**  
*We Create New Space*  
 222 So. Promenade Ave. Corona Ca, 92879  
 (951) 279-7999 1-800-4-UNIWEB UNIWEBINC.COM

**PART #:**  
**INSTALLATION INSTRUCTIONS**  
**4-WAY**

**DRAWN BY:** AV  
**DATE:** 9-7-16  
**REV:**  
**4 OF 4**

