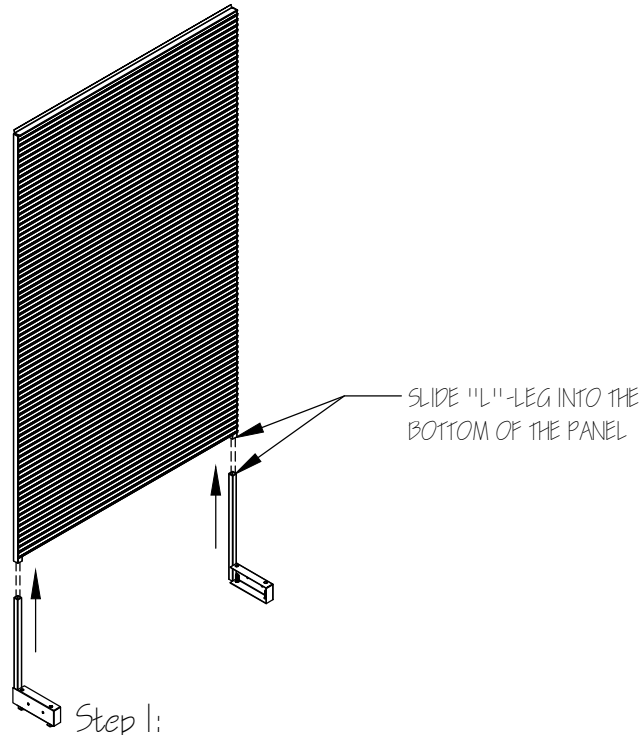
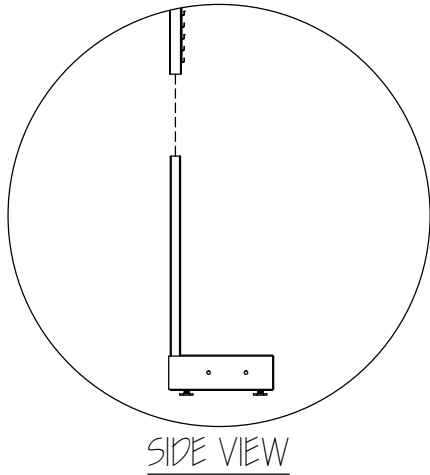


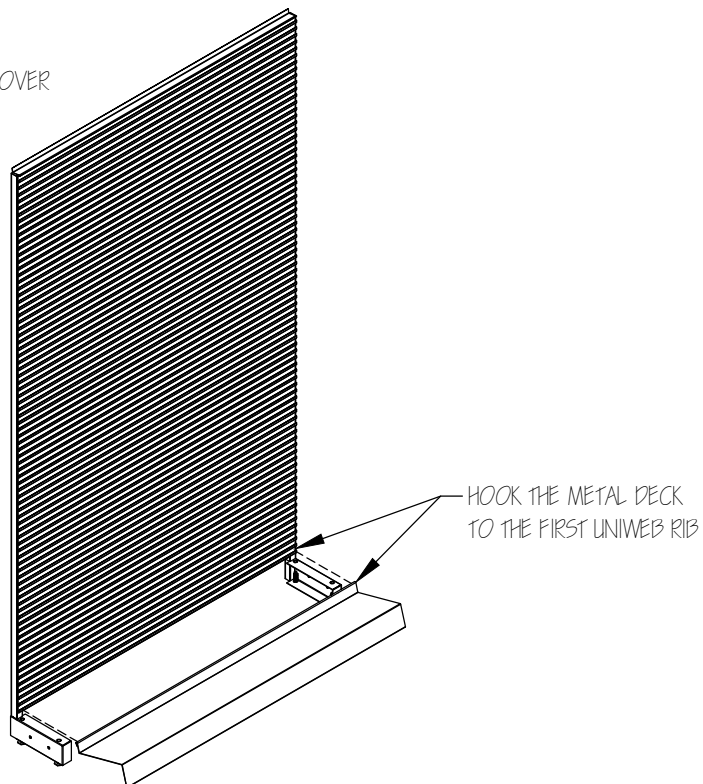
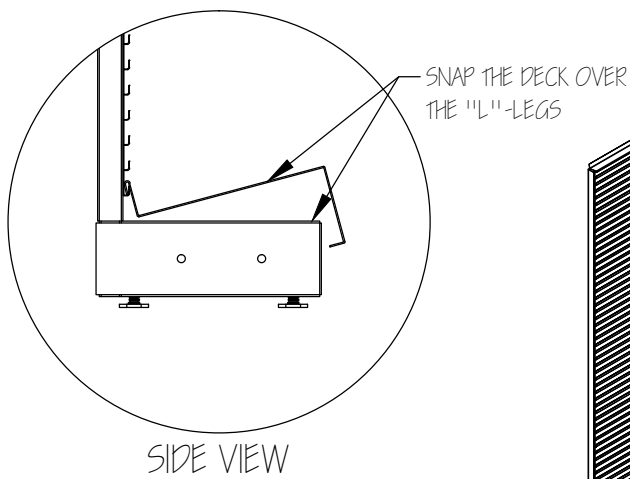
# UNIWEB INC.

## Installation Instructions



NOTE: CAN BE INSERTED PARALLEL AS AN OPTION

Slide the "L"-leg into the bottom of the Uniweb panel, While the panel is laying shape up on the floor

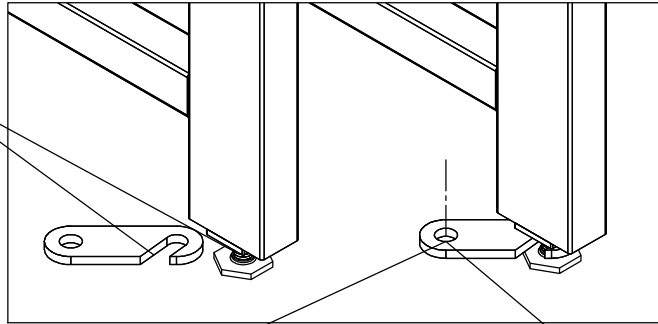


Hook the metal deck to the first Uniweb rib, Then snap the metal deck over the "L"-leg

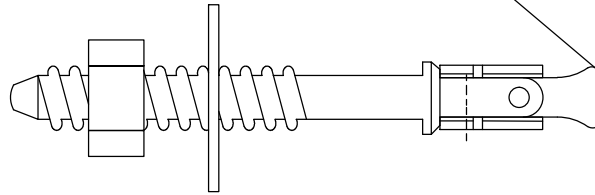
# UNIWEB INC.

## Installation Instructions

FIRST, HOOK  
ANCHOR ONTO  
ADJ. LEVELER



SECOND, POSITION  
ANCHOR TOWARDS  
INSIDE OF WORK  
AREA AND BOLT  
ANCHOR TO THE  
GROUND

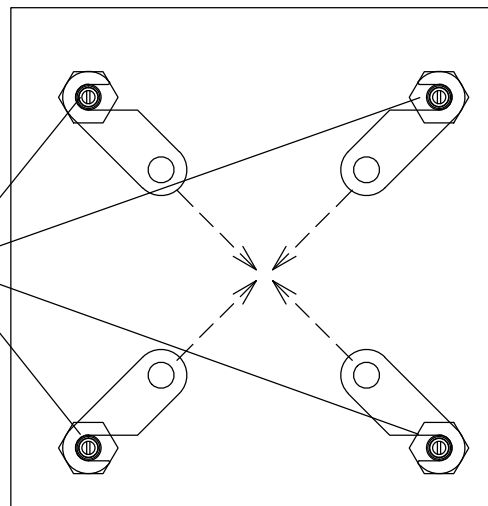


### ANCHOR NOTE

USE HILTI KWIK BOLT II  
3/8 x 4

MAKE SURE ANCHOR  
BRACKETS ARE ALL  
FACE IN THE OPPOSITE  
DIRECTION

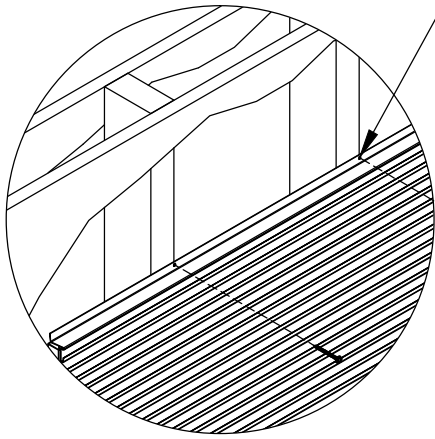
ANCHOR BRACKET IS  
8GA. 3"L x 1"W



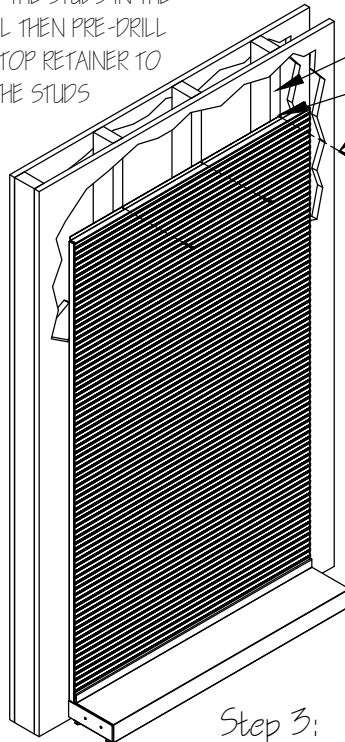
ANCHOR PATTERN EXAMPLE

# UNIWEB INC.

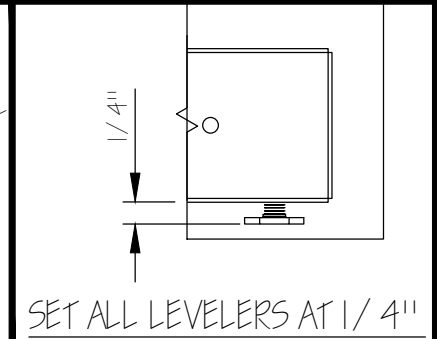
## Installation Instructions



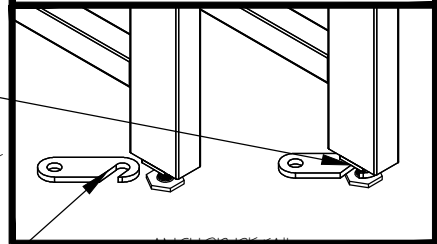
FIND THE STUDS IN THE WALL THEN PRE-DRILL THE TOP RETAINER TO HIT THE STUDS



EXISTING STUDS  
SCREW THE PANEL INTO THE STUDS



SET ALL LEVELERS AT 1/4"



SECOND POSITION ANCHOR TOWARDS INSIDE OF WORK AREA AND BOLT ANCHOR TO THE GROUND

FIRST HOOK ANCHOR ONTO ADJ. LEVELER

ANCHOR DETAIL  
TO BE INSTALLED BY G.C. USING POWER WEDGE BOLT EXPREEE FASTENERS - 3/8" X 2-1/8" (REPEAT PROCESS FOR EVERY ADJ. LEVELER)

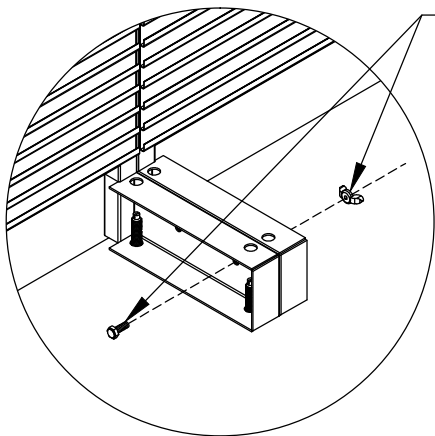
ENLARGED VIEW



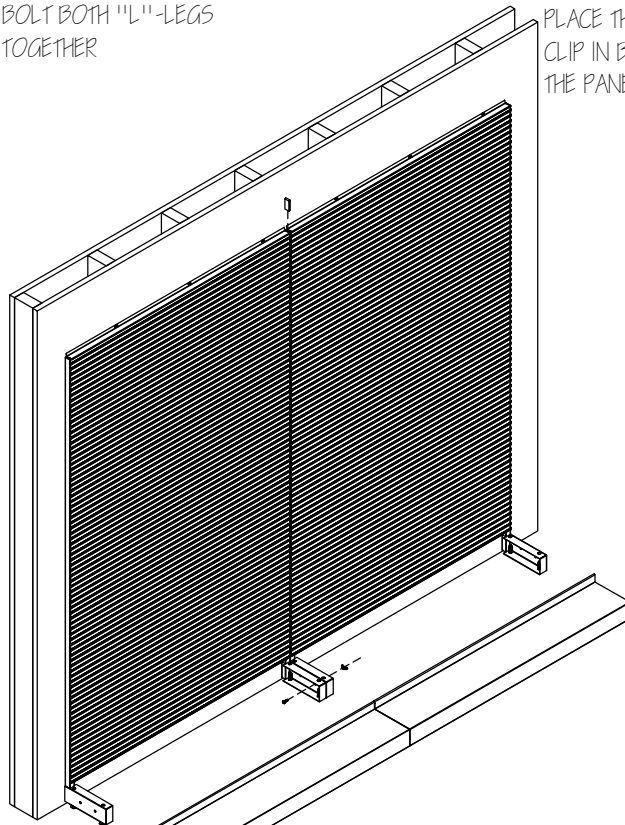
#10 x 2" L HEX WOOD SCREW

Step 3:

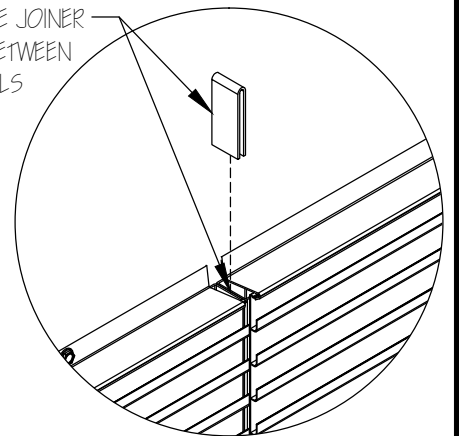
Place the panel against the wall and then screw the panel to the wall through the pre-drilled holes



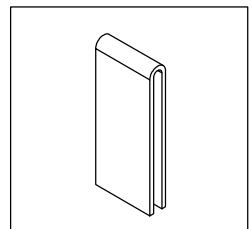
BOLT BOTH "L"-LEGS TOGETHER



PLACE THE JOINER CLIP IN BETWEEN THE PANELS

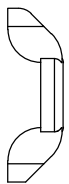


ENLARGED VIEW

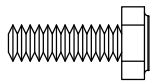


1" JOINER CLIP

ENLARGED VIEW



WING NUT  
1/4-20



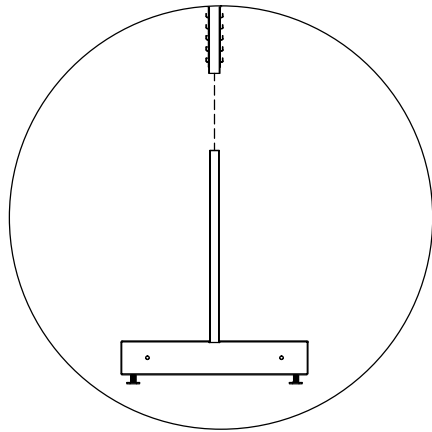
HEX BOLT  
1/4-20 x 3/4

Step 4:

Place joiner clip in between the panels. Bolt the "L"-leg together, Then snap the metal deck into place.

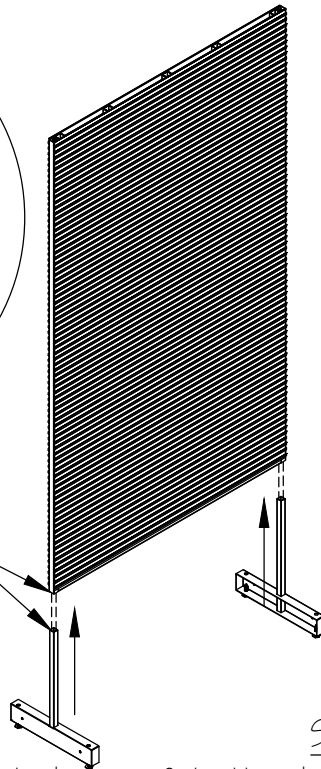
# UNIWEB INC.

## Installation Instructions



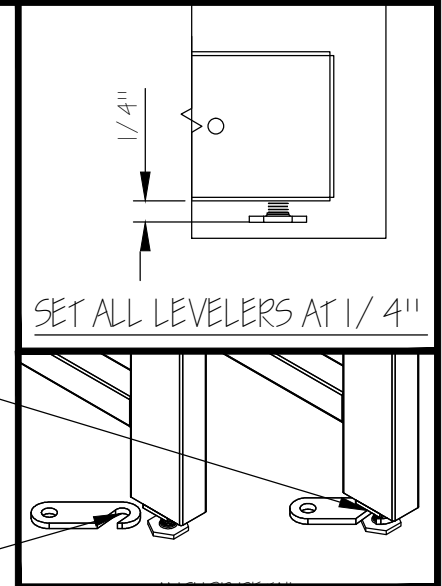
SIDED VIEW

SLIDE "T"-LEG INTO THE BOTTOM OF THE PANEL



SECOND POSITION ANCHOR TOWARDS INSIDE OF WORK AREA AND BOLT ANCHOR TO THE GROUND

FIRST HOOK ANCHOR ONTO ADJ. LEVELER



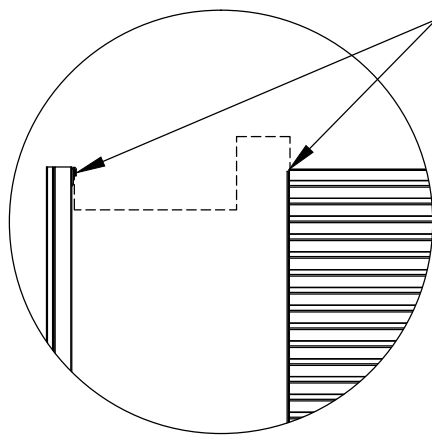
SET ALL LEVELERS AT 1/4"

ANCHOR DETAIL

TO BE INSTALLED BY G.C. using Power Wedge Bolt express fasteners - 3/8" x 2-1/8" (REPEAT PROCESS FOR EVERY ADJ. LEVELER)

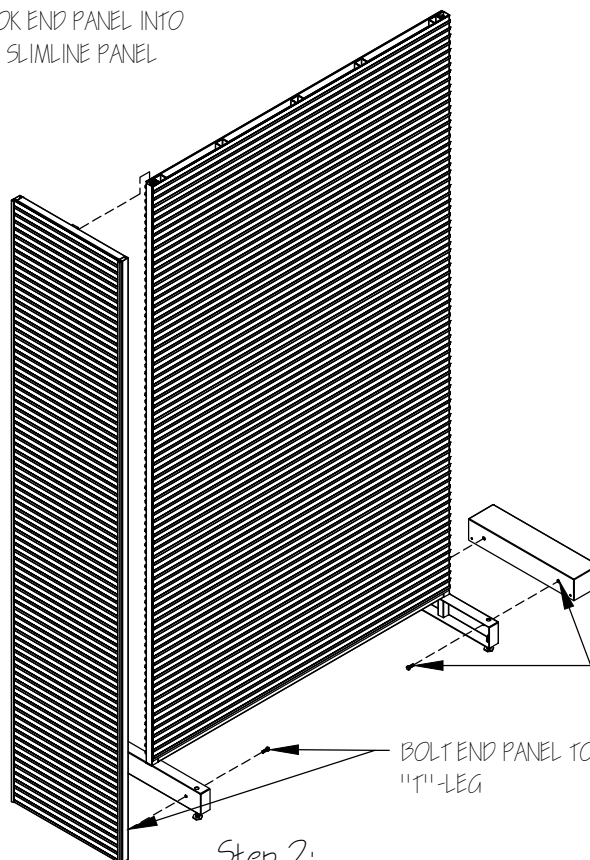
### Step 1:

Slide the "T"-leg into the bottom of the Uniweb panel, While the panel is laying shape up on the floor



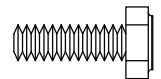
ENLARGED VIEW

HOOK END PANEL INTO THE SLIMLINE PANEL



BOLT SPACER TO "T"-LEG

BOLT END PANEL TO "T"-LEG



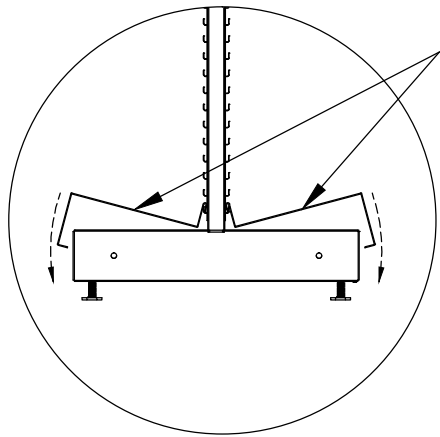
HEX BOLT  
1/4-20 x 3/4

### Step 2:

Hook end panel to slimline, Then bolt end panel through the "T"-leg, Bolt spacer through the back "T"-leg

# UNIWEB INC.

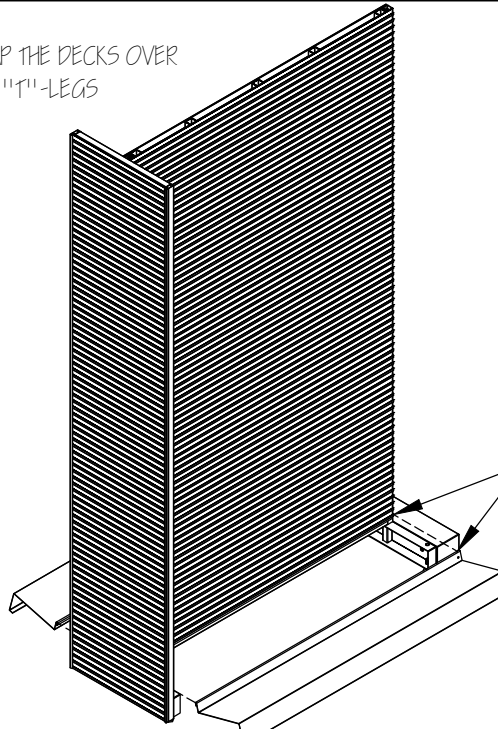
## Installation Instructions



SNAP THE DECKS OVER THE "T"-LEGS

SEE PAGE 3 FOR ANCHOR DETAIL

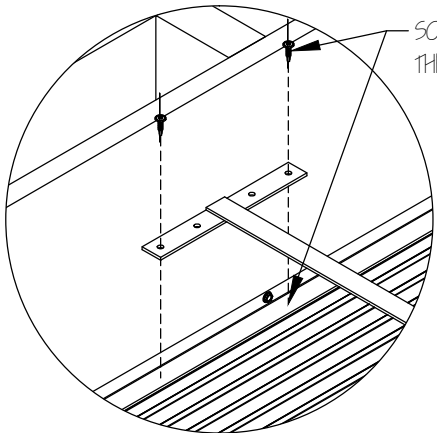
ENLARGED VIEW



HOOK THE METAL DECK TO THE FIRST UNIWEB RIB

Step 3:

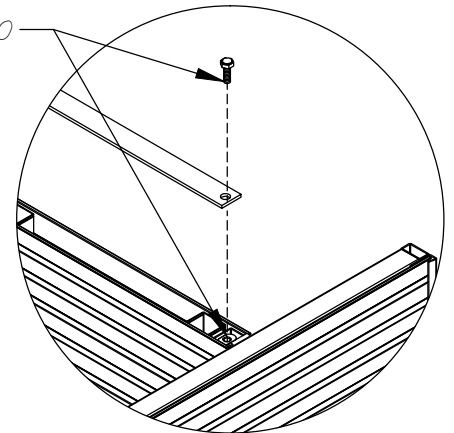
Hook the metal decks to the first Uniweb rib, Then snap the metal decks over the "T"-leg



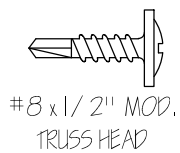
SCREW SWAY BAR TO THE TOP RETAINER

ENLARGED VIEW

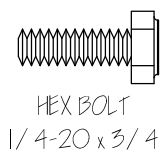
BOLT SWAY BAR TO SLIMLINE PANEL



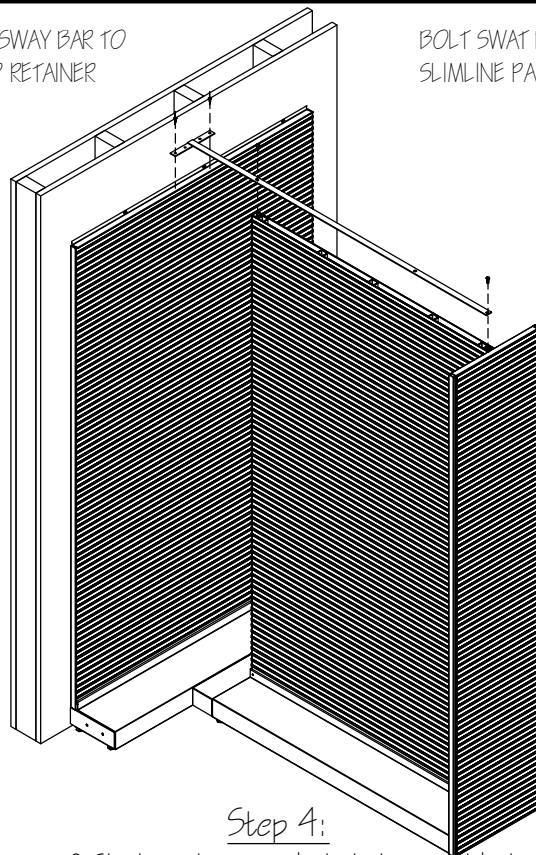
ENLARGED VIEW



#8 x 1/2" MOD. TRUSS HEAD



HEX BOLT 1/4-20 x 3/4



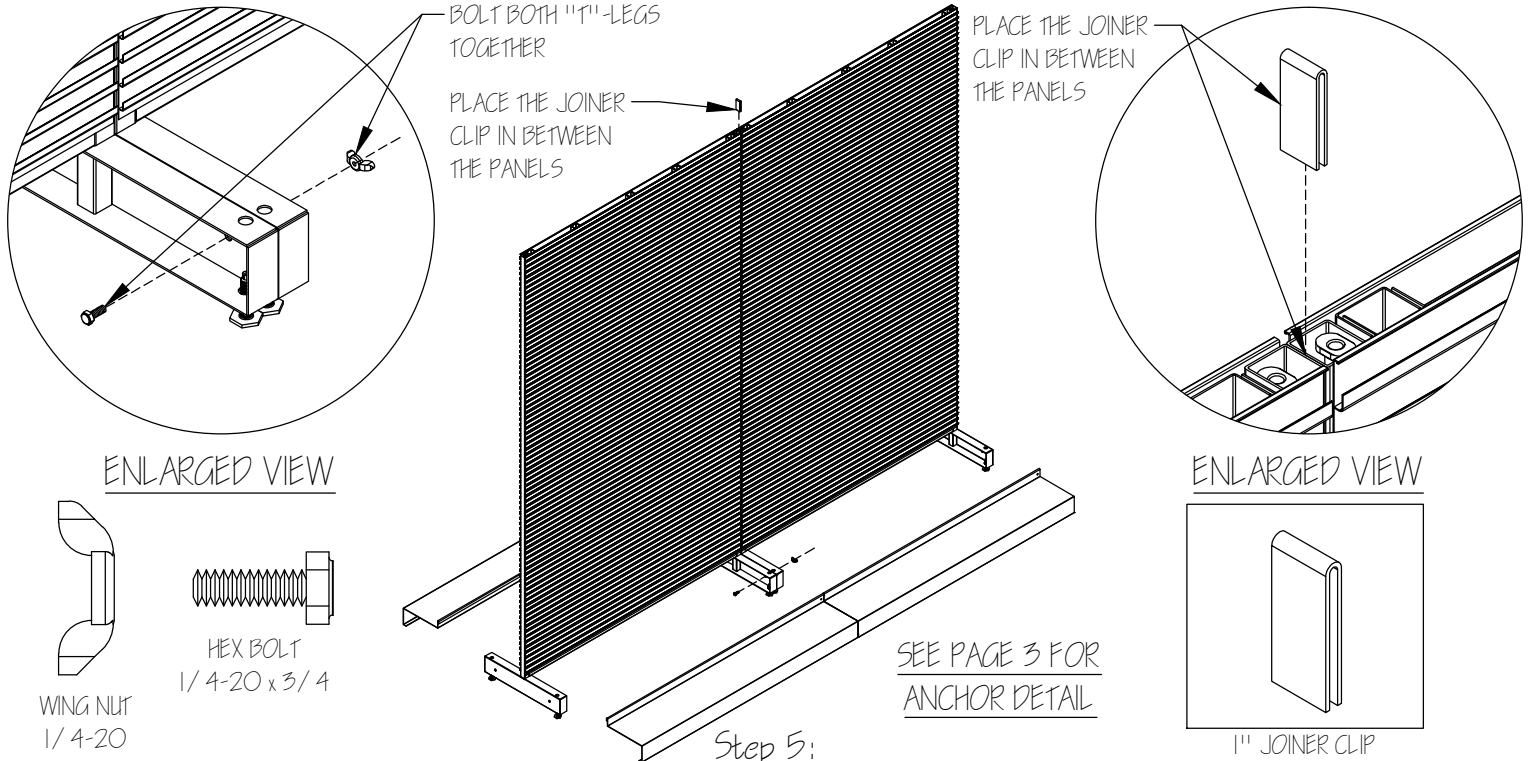
Step 4:

Place sway bar on top of Slimline, Line up bolt holes and bolt the sway bar down.

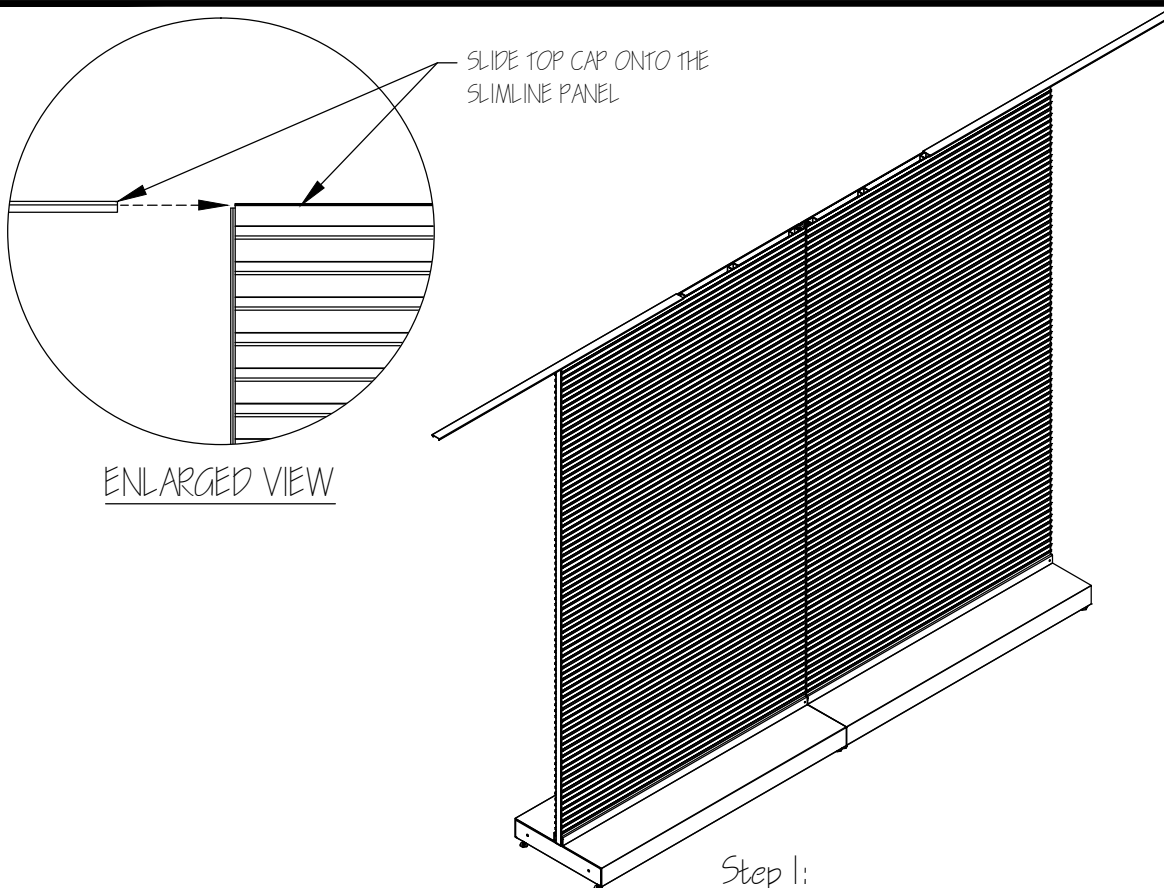
Then screw the sway bar to the top retainer

# UNIWEB INC.

## Installation Instructions



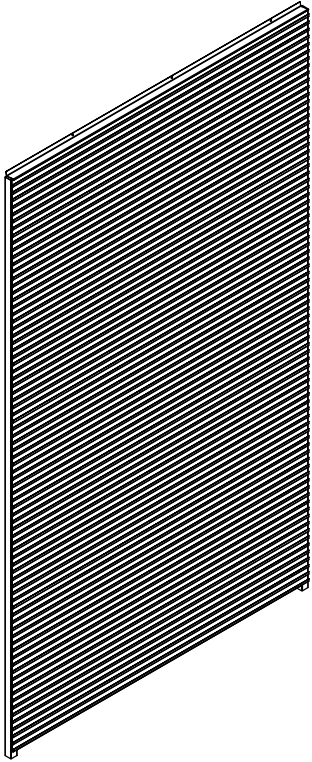
Place joiner clip in between the panels. Bolt the "L"-leg together, Then snap the metal deck into place.



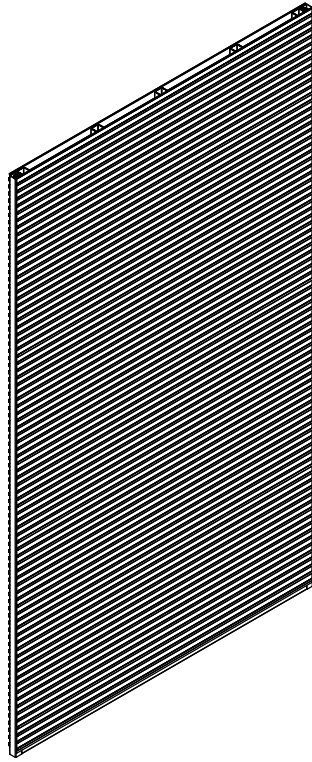
Slide top cap onto slimline panel, Slide from the outside in.

# UNIWEB INC.

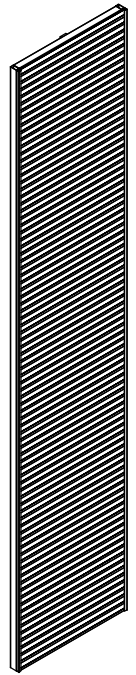
## Installation Instructions



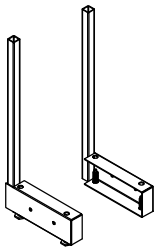
SYSTEM 88 PANEL



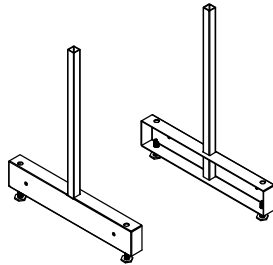
SLIMLINE PANEL



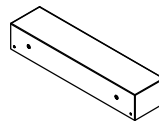
END PANEL



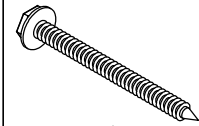
"L" LEG



"T" LEG



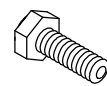
SYSTEM 88 SPACER



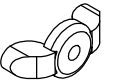
#10 x 1-3/4\"/>



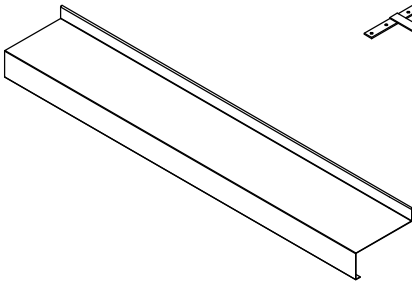
#10 x 3/4\"/>



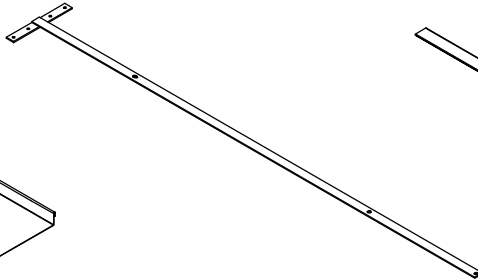
1/4-20 x 3/4\"/>



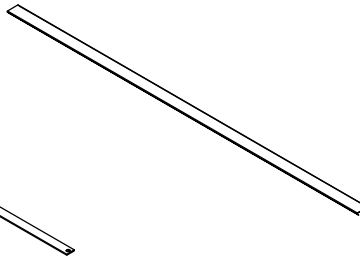
1/4-20 WING NUT



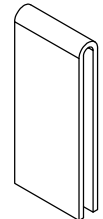
METAL DECK



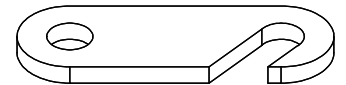
SWAY BAR



TOP CAP



1\"/>



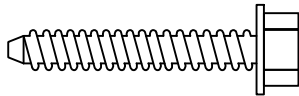
ANCHOR PLATE  
8GA. 3\"/>

### What Uniweb's Warranty Covers

Uniweb will repair or replace, at its discretion, any panel or accessory found to be defective in material or workmanship for the life of the product to the original owner when used/ installed in the manner specified. Simply return the product, prepaid, with a copy of the original receipt or proof of purchase to Uniweb Inc., 222 South Promenade Avenue, Corona, Ca. 92879 or call 1-800-4-UNIWEB

# UNIWEB INC.

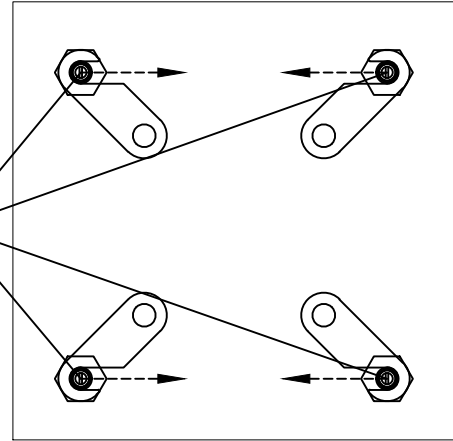
## Installation Instructions



ANCHOR DETAIL  
POWER WEDGE BOLT  
EXPRESS FASTNERS  
3/8 x 2-1/8

MAKE SURE ANCHOR  
BRACKETS ARE ALL  
FACE IN THE OPPOSITE  
DIRECTION

ANCHOR BRACKET IS  
8GA. 3"L x 1"W



ANCHOR PATTERN EXAMPLE