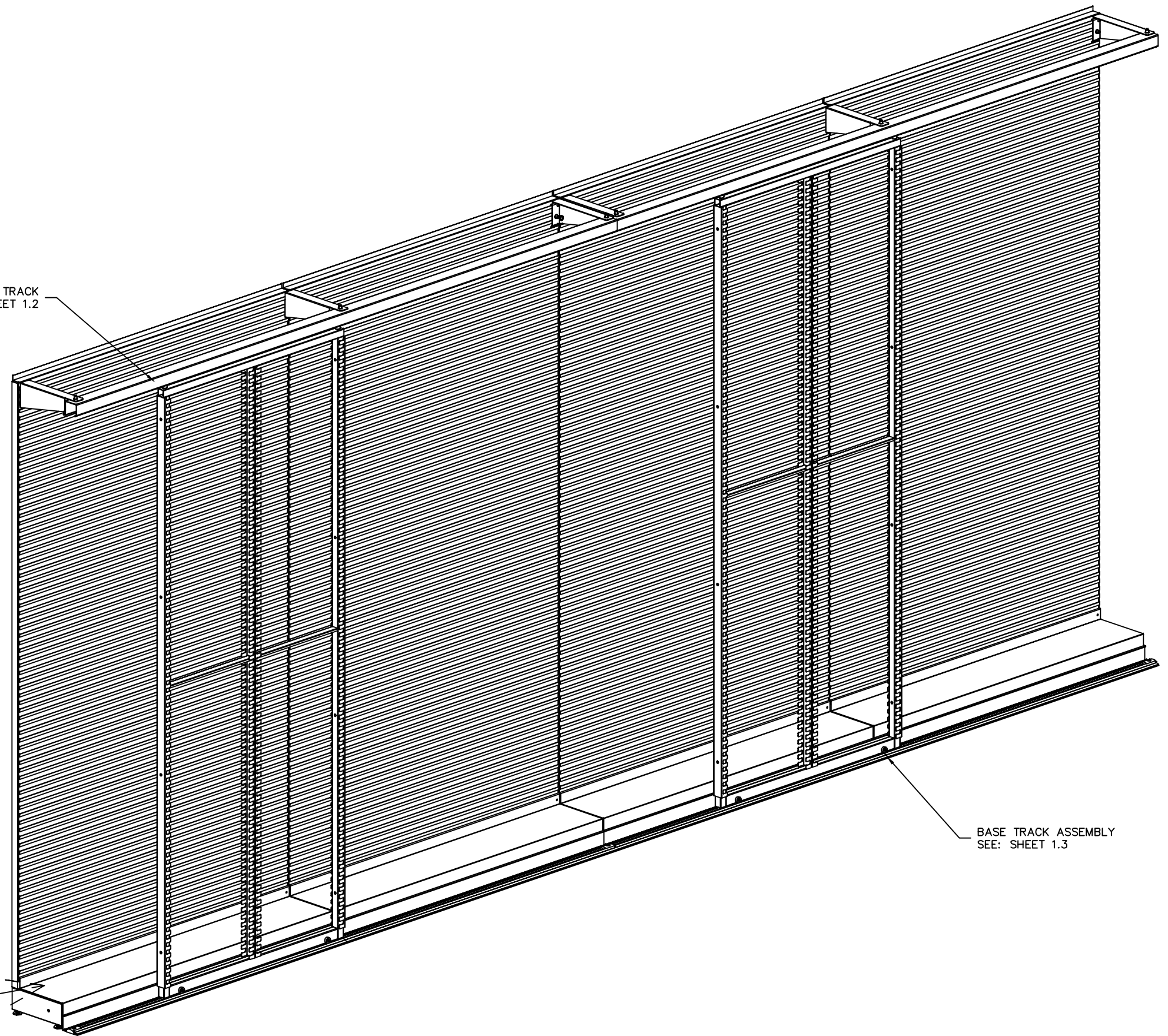
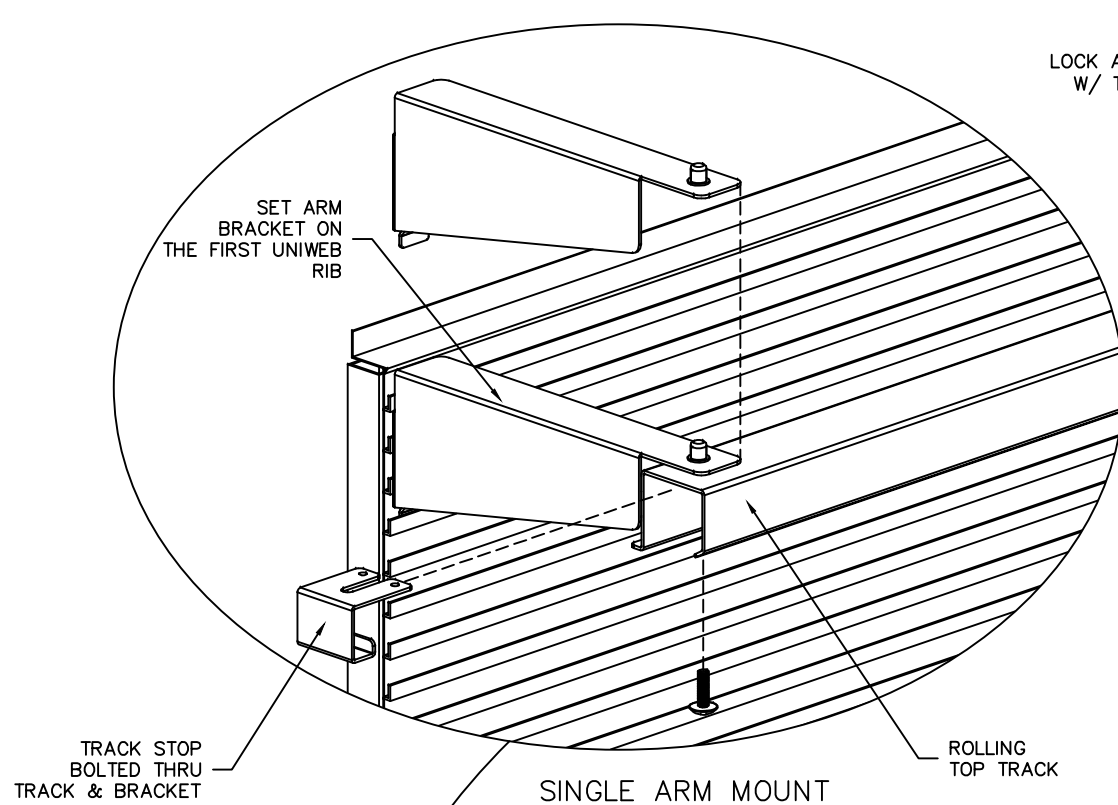


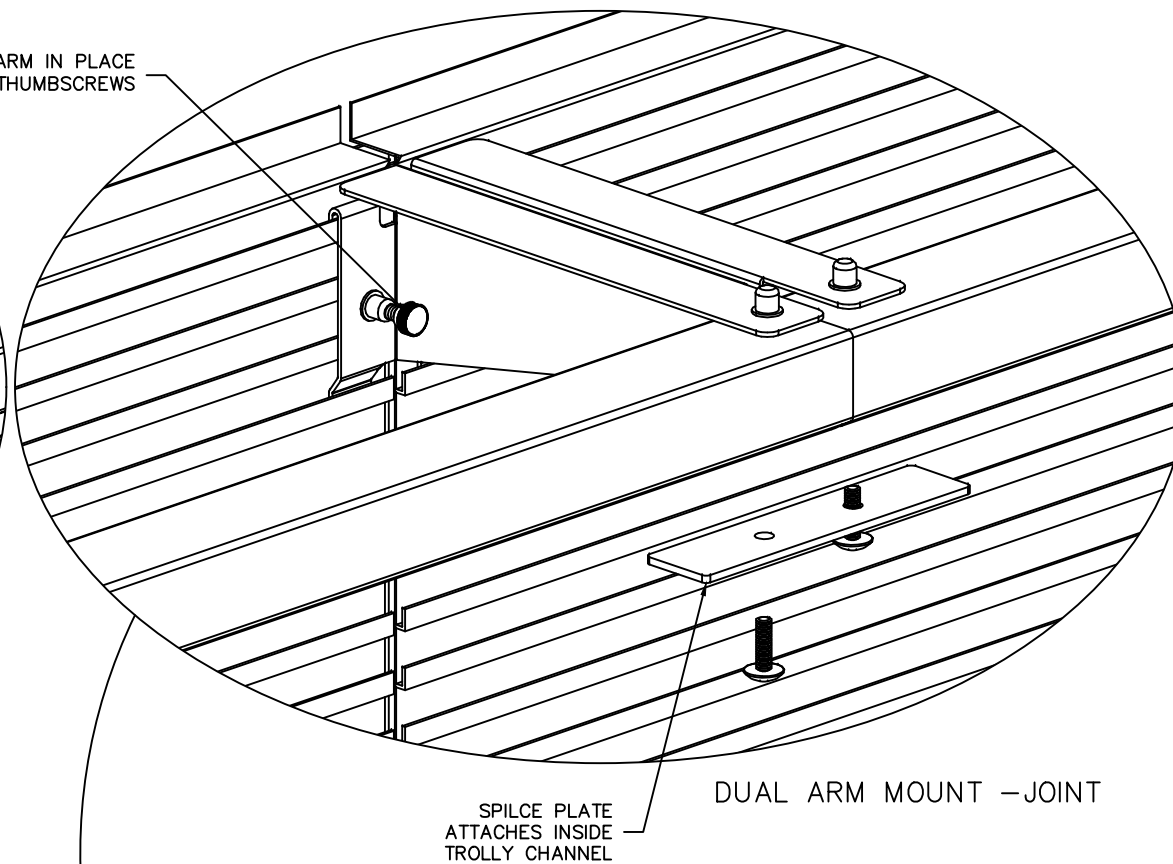
OVERHEAD ROLLING TOP TRACK
SEE: SHEET 1.2



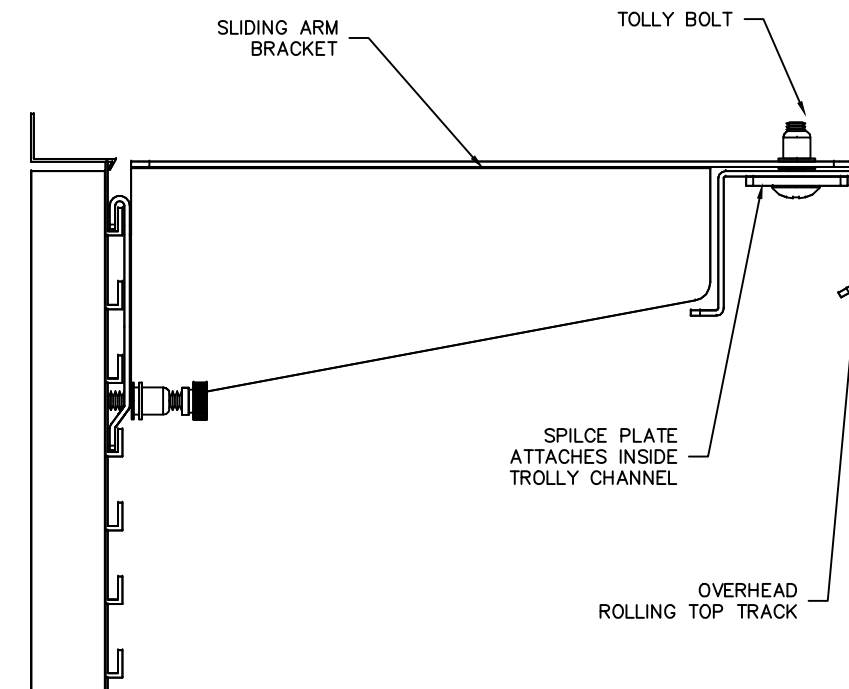
BASE TRACK ASSEMBLY
SEE: SHEET 1.3



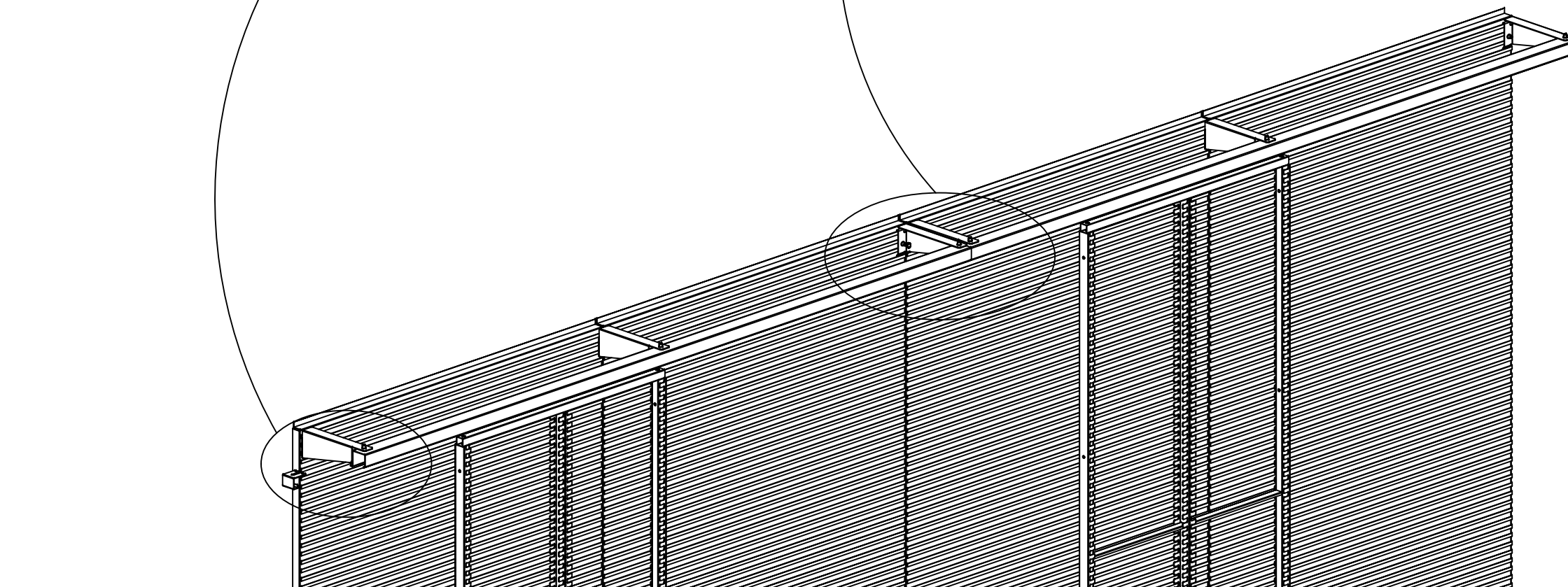
SINGLE ARM MOUNT

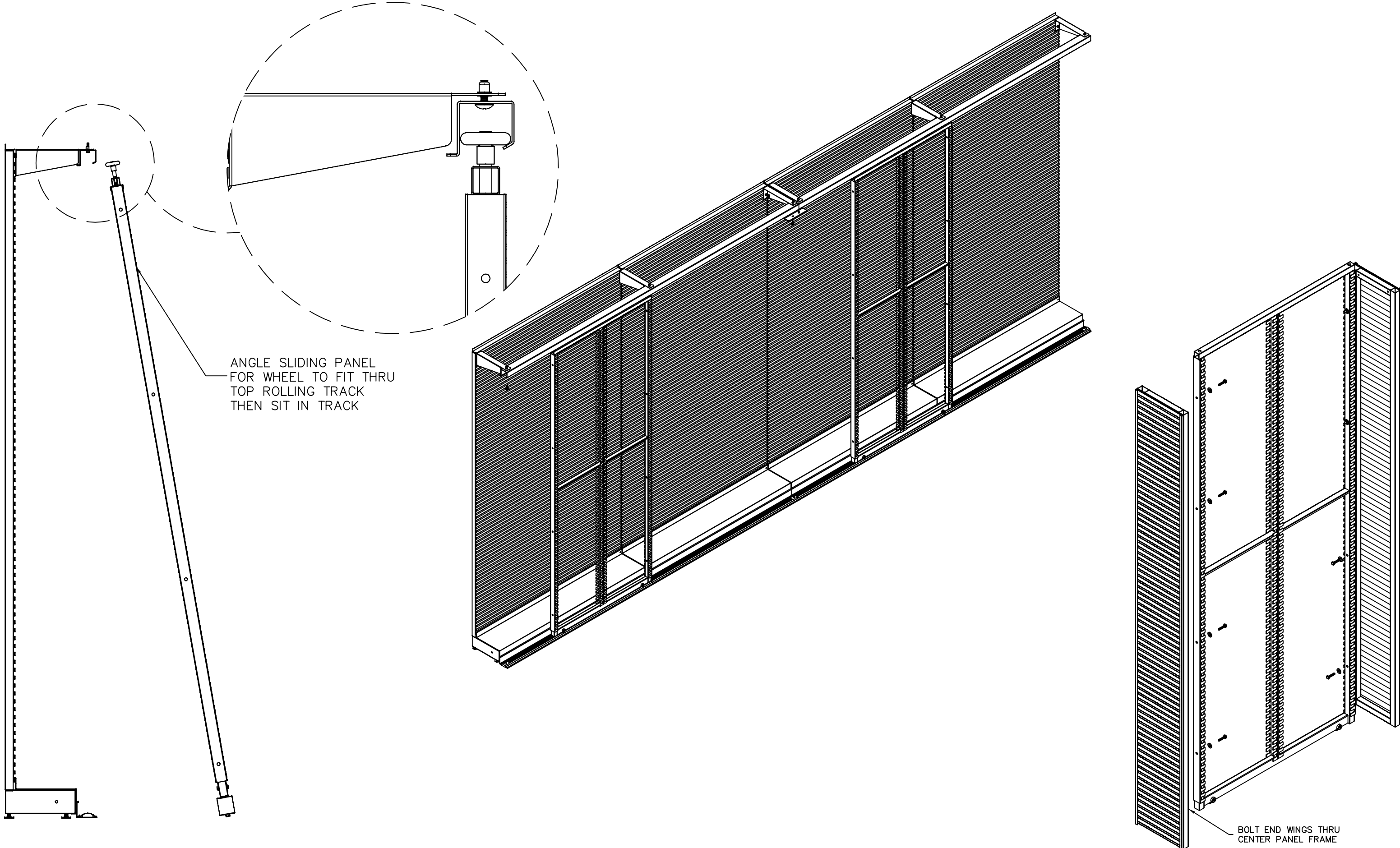


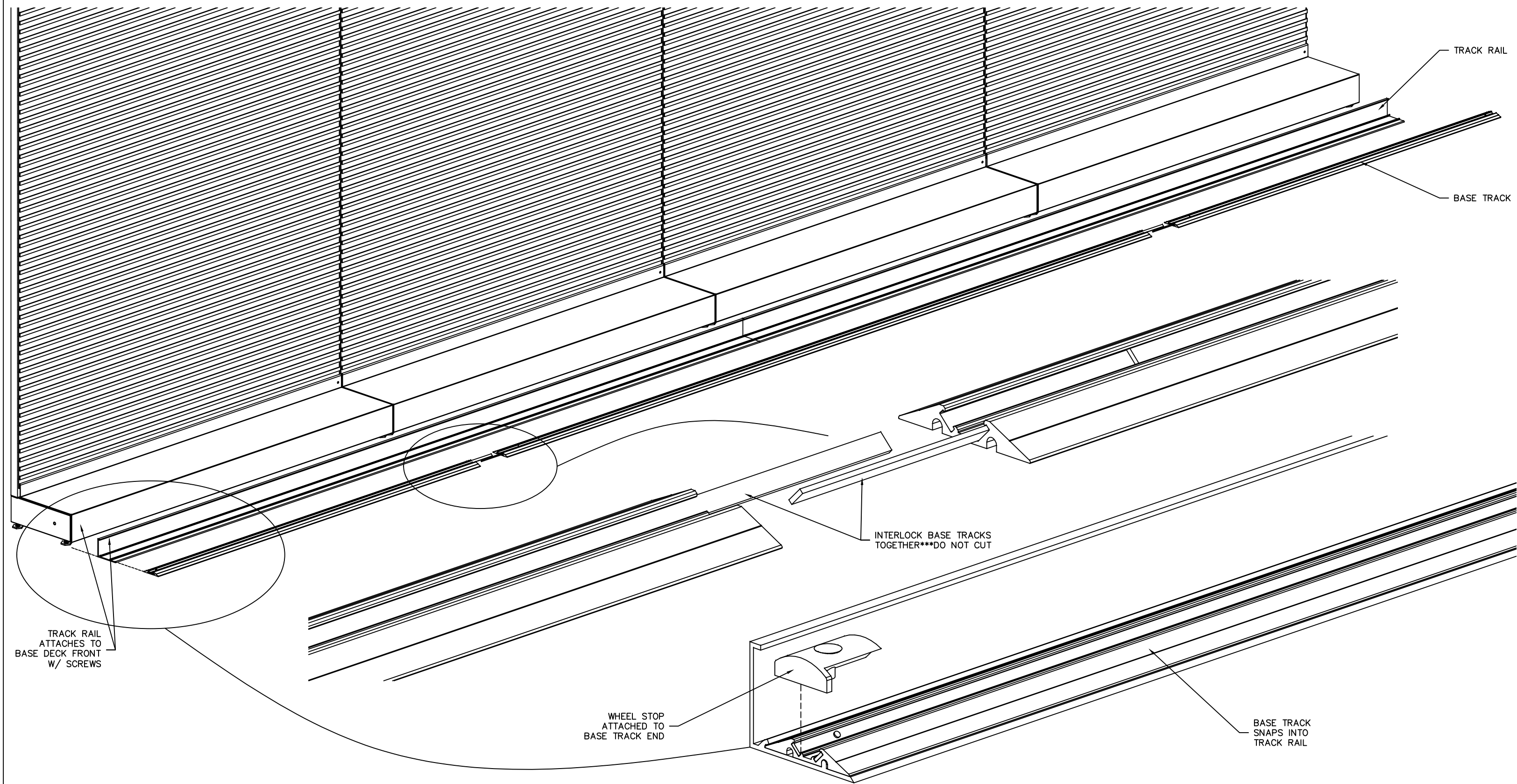
DUAL ARM MOUNT - JOINT



DUAL ARM MOUNT SIDE SECTION VIEW







UNIWEB, INC.

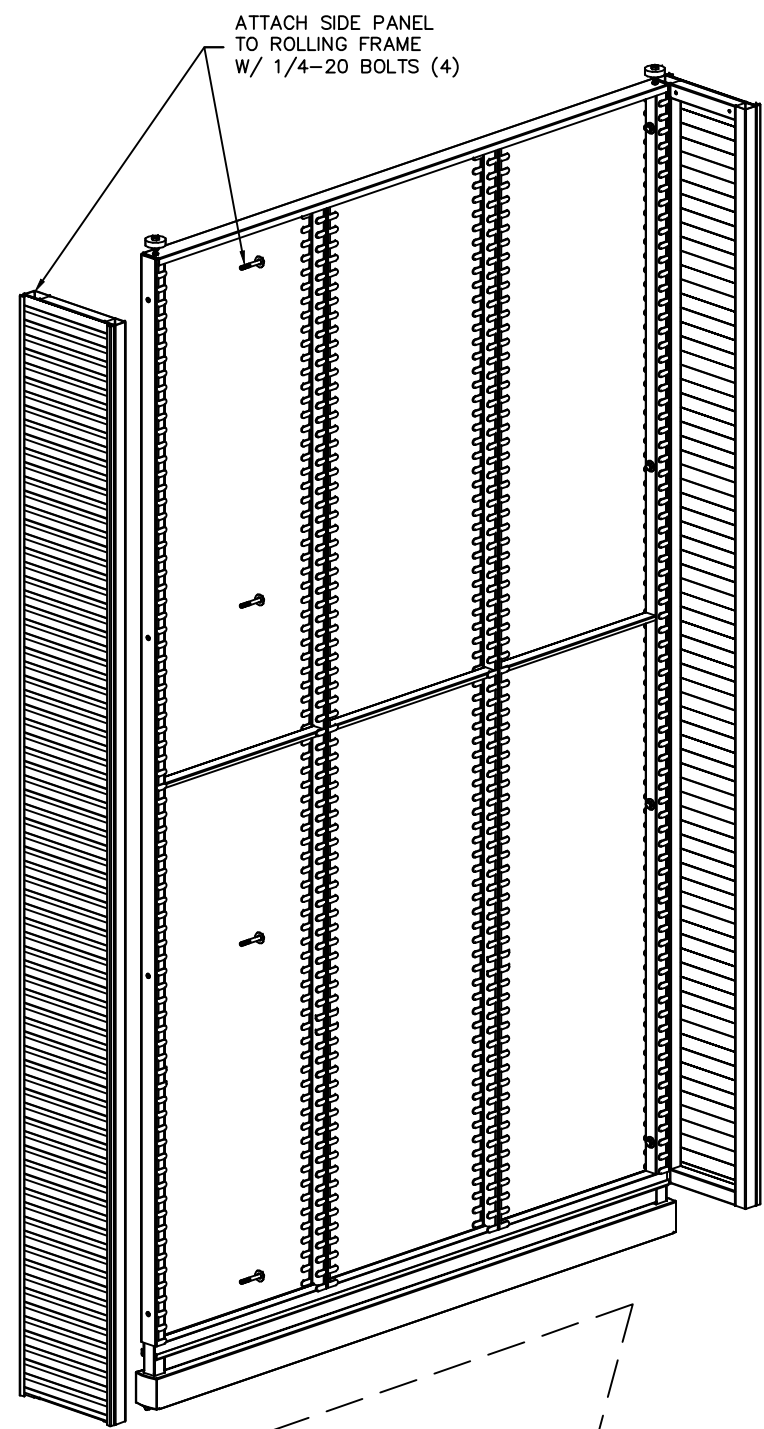
222 So. Promenade Ave. Corona, California 92879 (951) 279-7999 800 486-4932 www.uniwebinc.com

DATE 1-6-09
 SCALE NOTED
 DRN MD

CUSTOMER
 DESCRIPTION

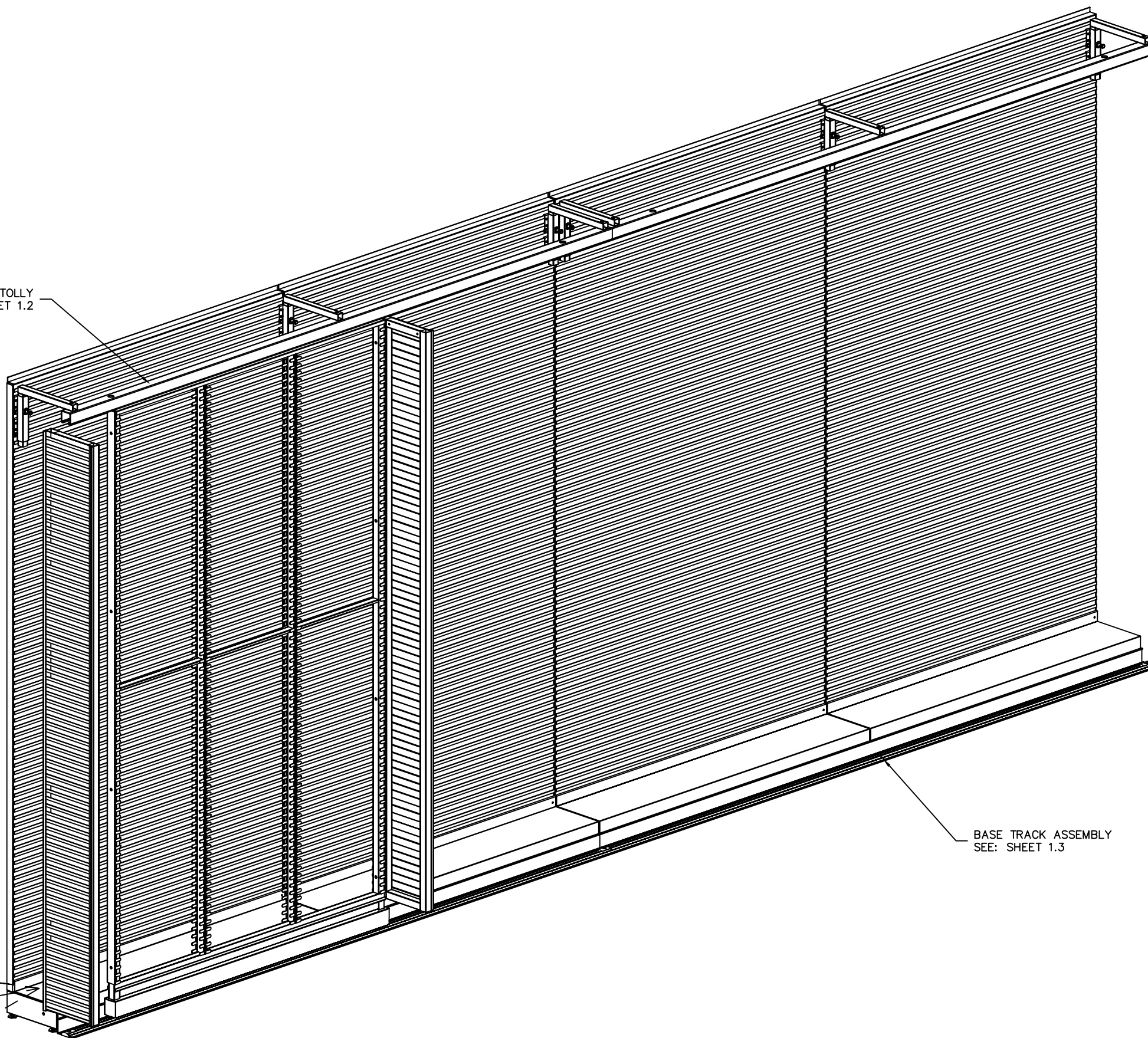
**MULTI-ROLLING UNIT
 BASE TRACK INSTALLATION**

Sheet
 1.4

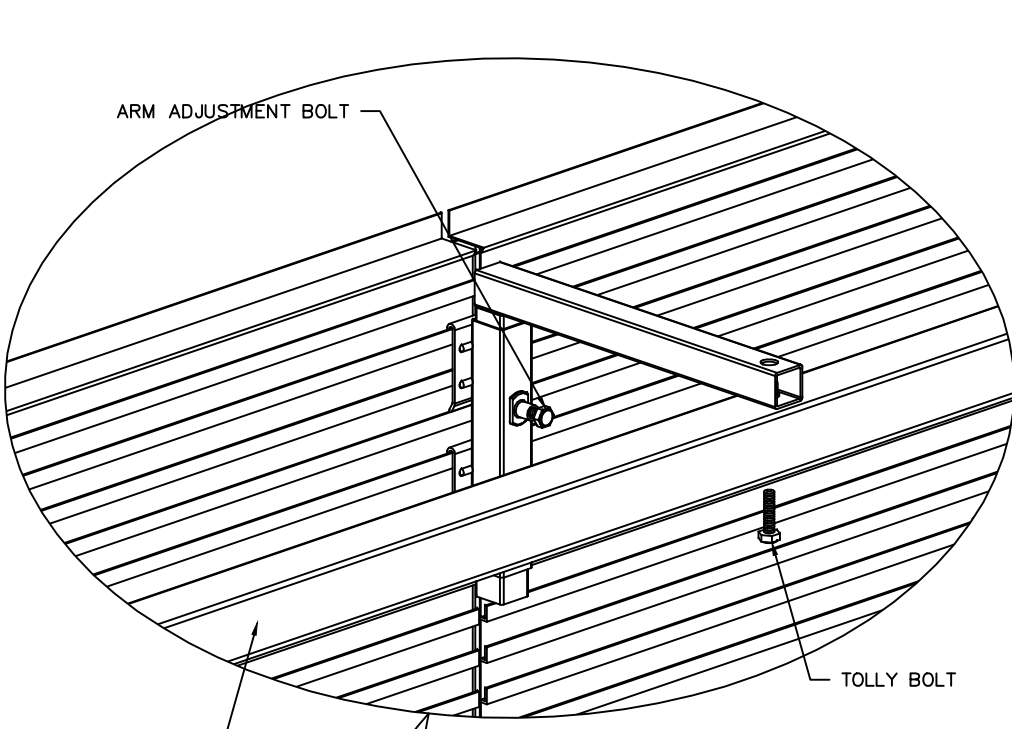


ATTACH SIDE PANEL
TO ROLLING FRAME
W/ 1/4-20 BOLTS (4)

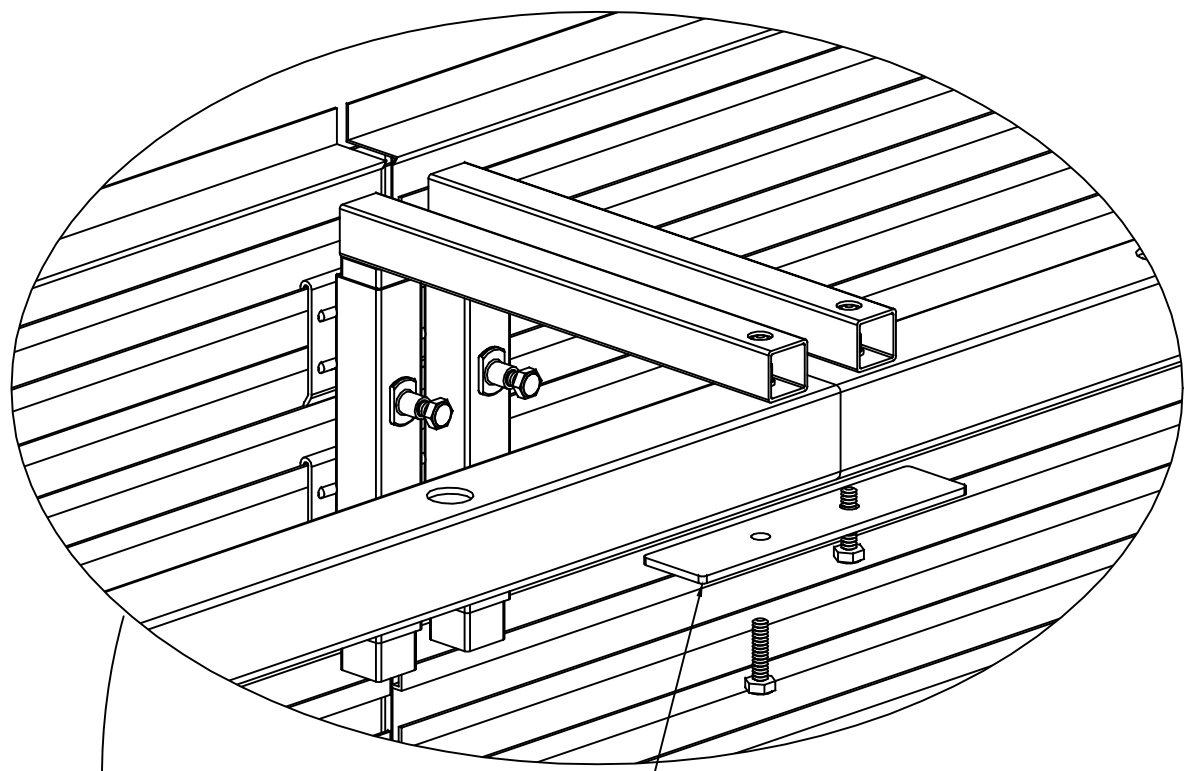
OVERHEAD TOLLY
SEE: SHEET 1.2



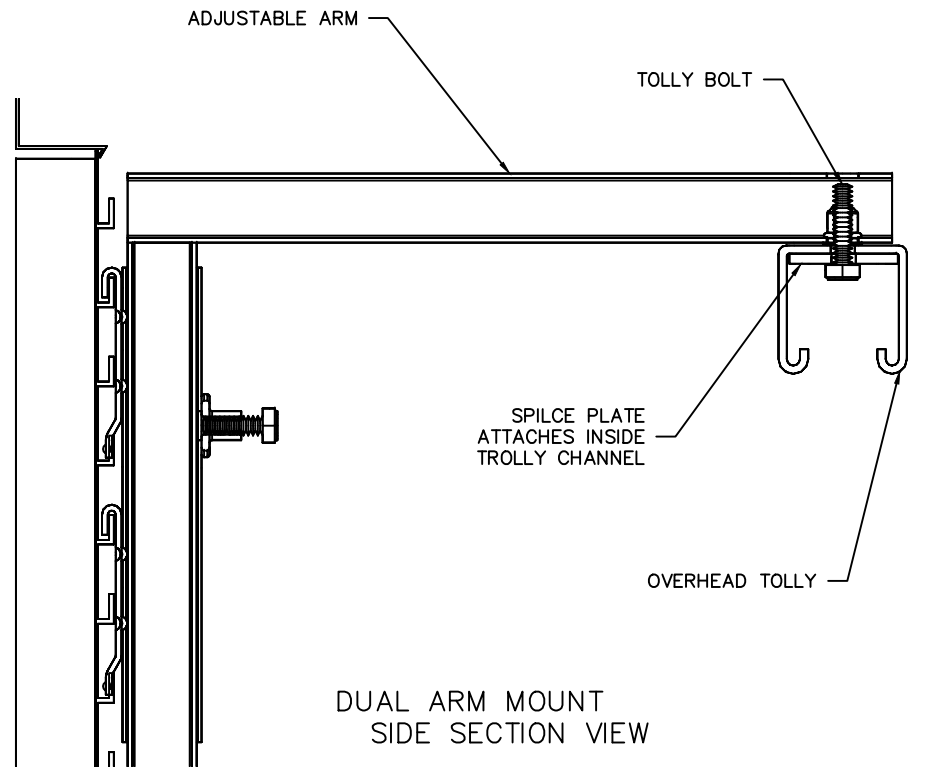
BASE TRACK ASSEMBLY
SEE: SHEET 1.3



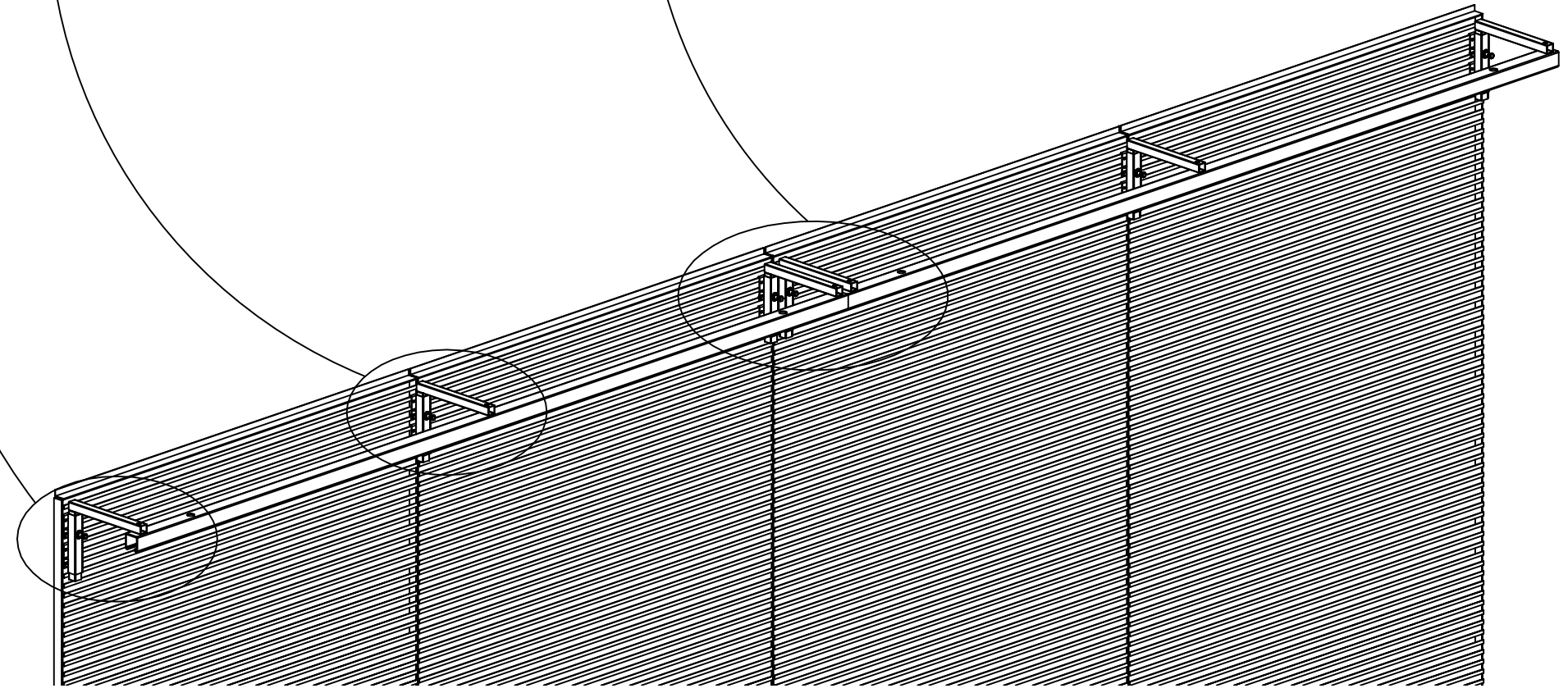
SINGLE ARM MOUNT



DUAL ARM MOUNT - JOINT



DUAL ARM MOUNT SIDE SECTION VIEW



UNIWEB, INC.

222 So. Promenade Ave. Corona, California 92879 (951) 279-7999 800 486-4932 www.uniwebinc.com

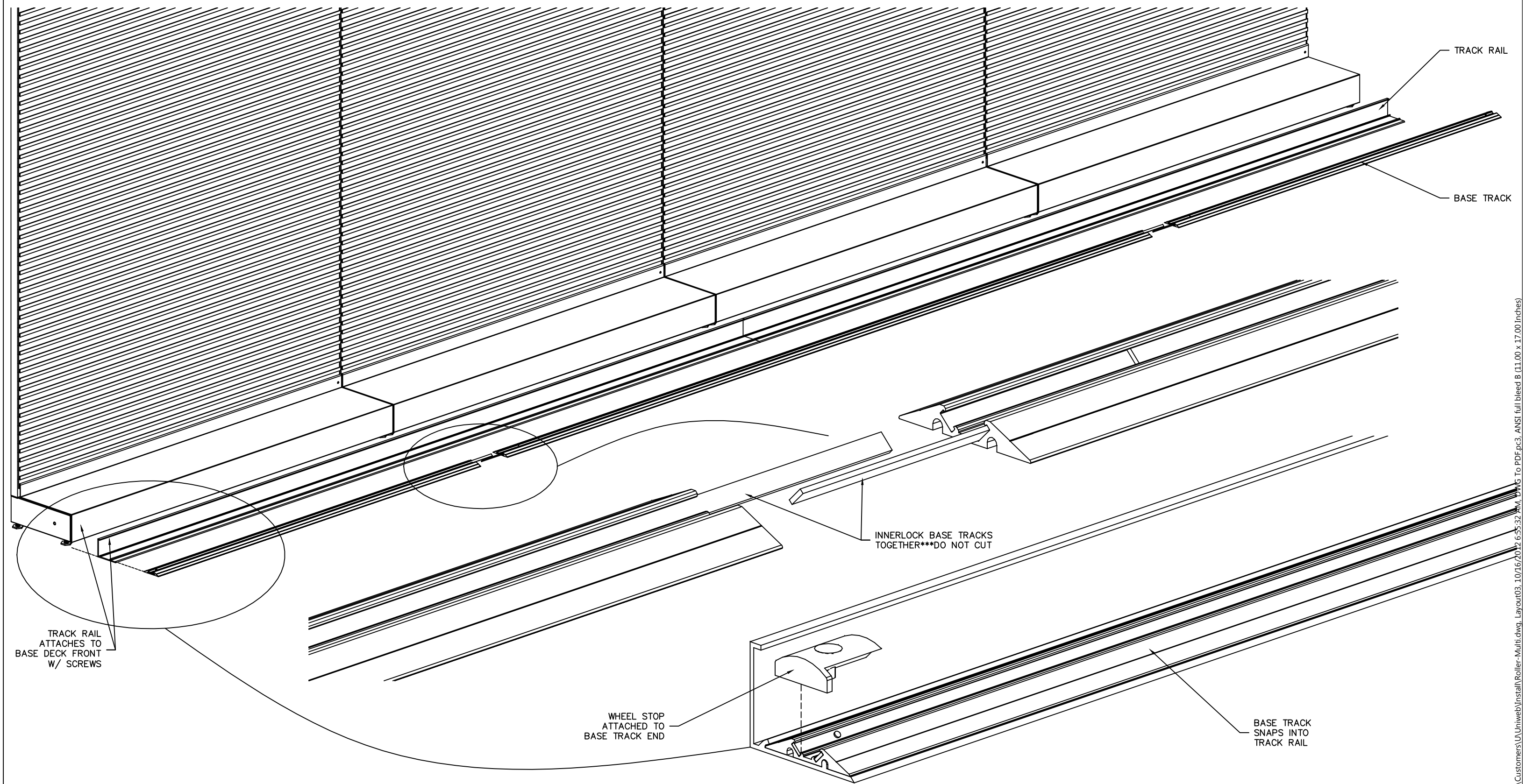
DATE 1-6-09
SCALE NOTED
DRN MD

CUSTOMER
DESCRIPTION

MULTI-ROLLING UNIT
OVERHEAD INSTALLATION

Sheet 1.2

M:\CAD DRAWINGS\Customers\Uniweb\Install\Roller-Multi.dwg, Layout02, 10/16/2012 6:55:14 AM, DWG To PDF.pc3, ANSI full bleed B (11.00 x 17.00 inches)



UNIWEB, INC.

222 So. Promenade Ave. Corona, California 92879 (951) 279-7999 800 486-4932 www.uniwebinc.com

DATE **1-6-09**
 SCALE **NOTED**
 DRN **MD**

CUSTOMER
 DESCRIPTION

MULTI-ROLLING UNIT
BASE TRACK INSTALLATION

Sheet
1.3

M:\CAD DRAWINGS\Customers\Uniweb\Install\Roller-Multi.dwg, Layout03, 10/16/2012 6:55:32 AM, DWG To PDF.pc3, ANSI full bleed B (11.00 x 17.00 Inches)