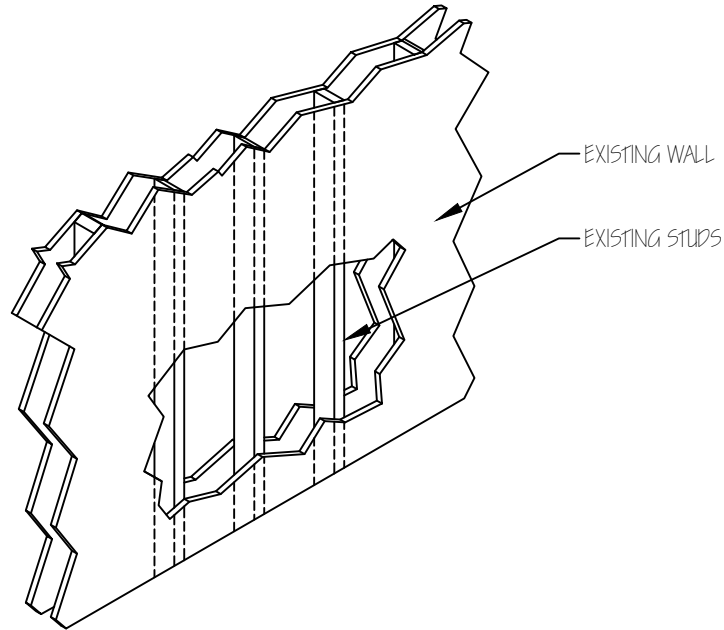


UNIWEB INC.

Installation Instructions

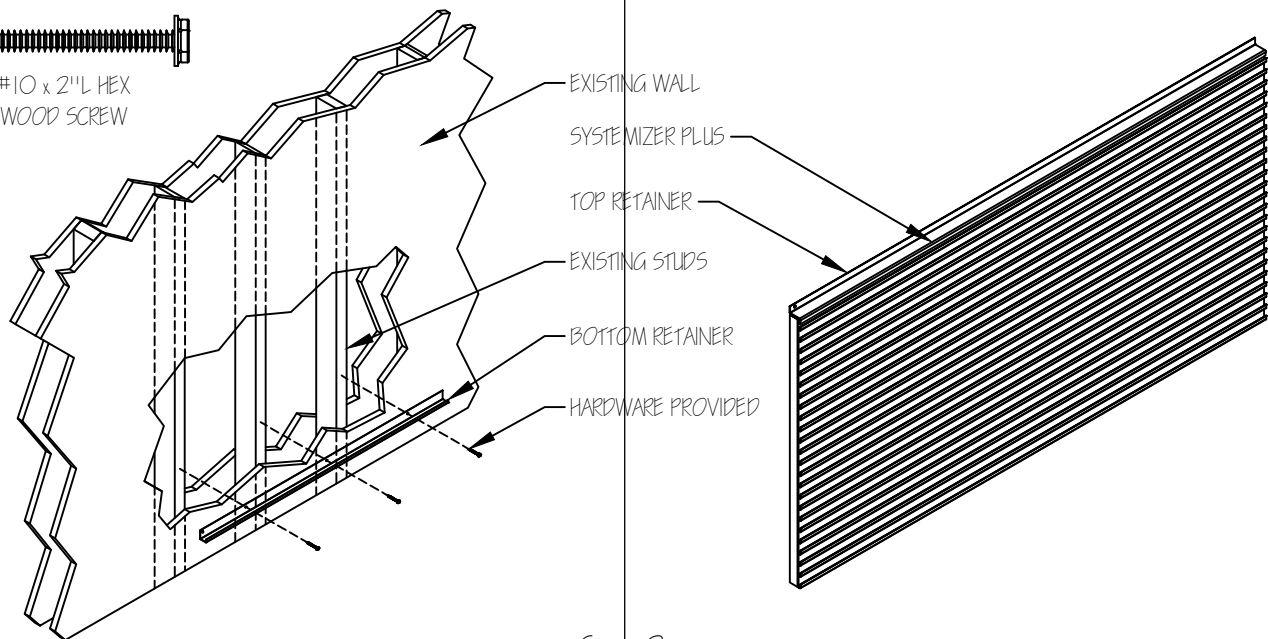


Step 1:

With a stud finder, mark all the stud's on the wall in the place where you are going to install the Systemizer Plus



#10 x 2" L HEX
WOOD SCREW



Step 2:

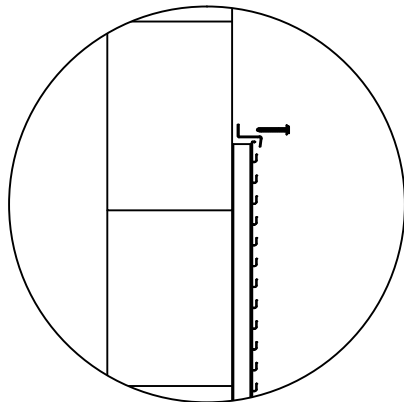
Measure the distance of the studs and then mark and pre-drill holes into the bottom and top retainer

Step 3:

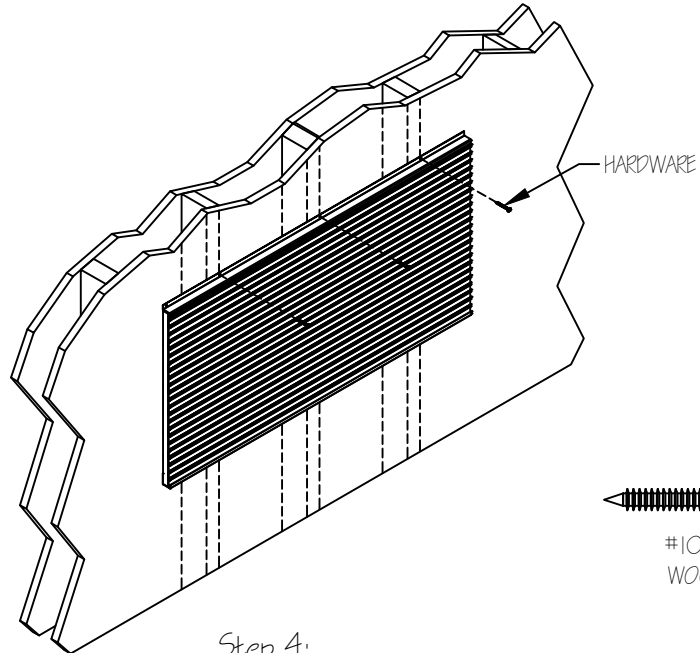
Screw bottom retainer into the studs through pre-drill holes using the hardware provided

UNIWEB INC.

Installation Instructions



SIDED VIEW



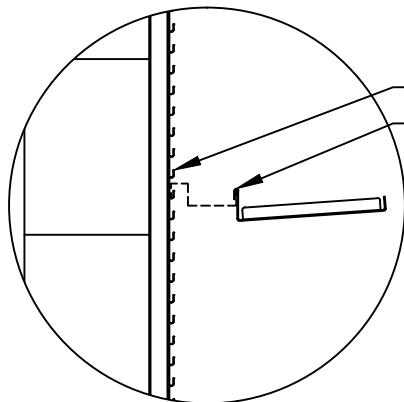
HARDWARE



#10 x 2" L HEX
WOOD SCREW

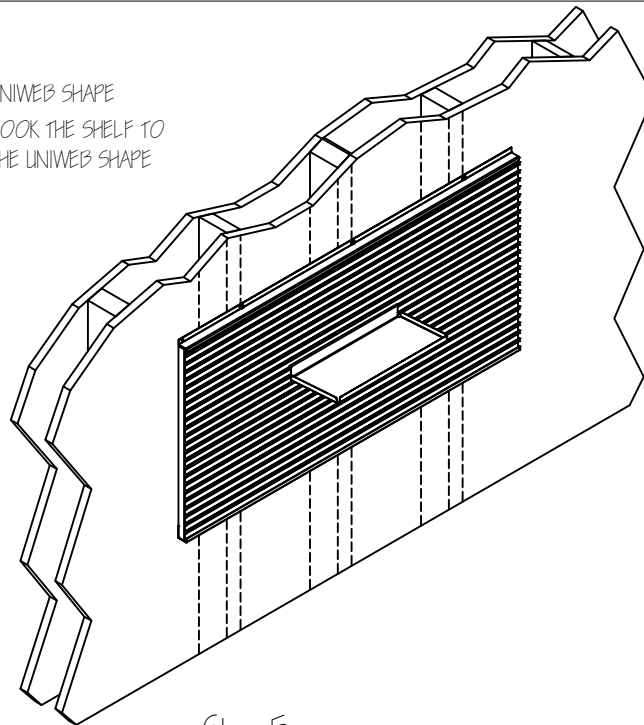
Step 4:

Place the Welded panel into the bottom retainer at an angle, Then push the panel flush to the wall and fasten through the top retainer and into the studs!



SIDED VIEW

UNIWEB SHAPE
HOOK THE SHELF TO
THE UNIWEB SHAPE

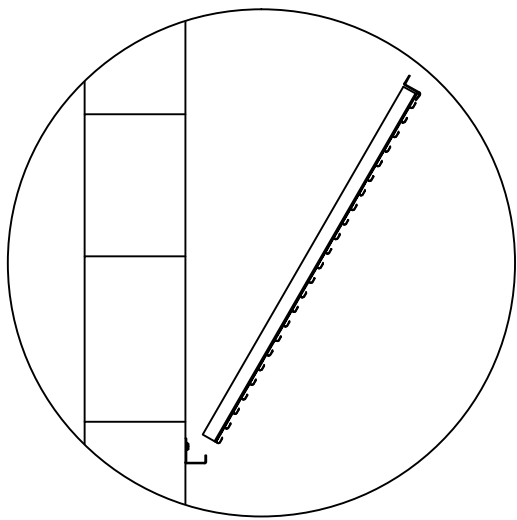


Step 5:

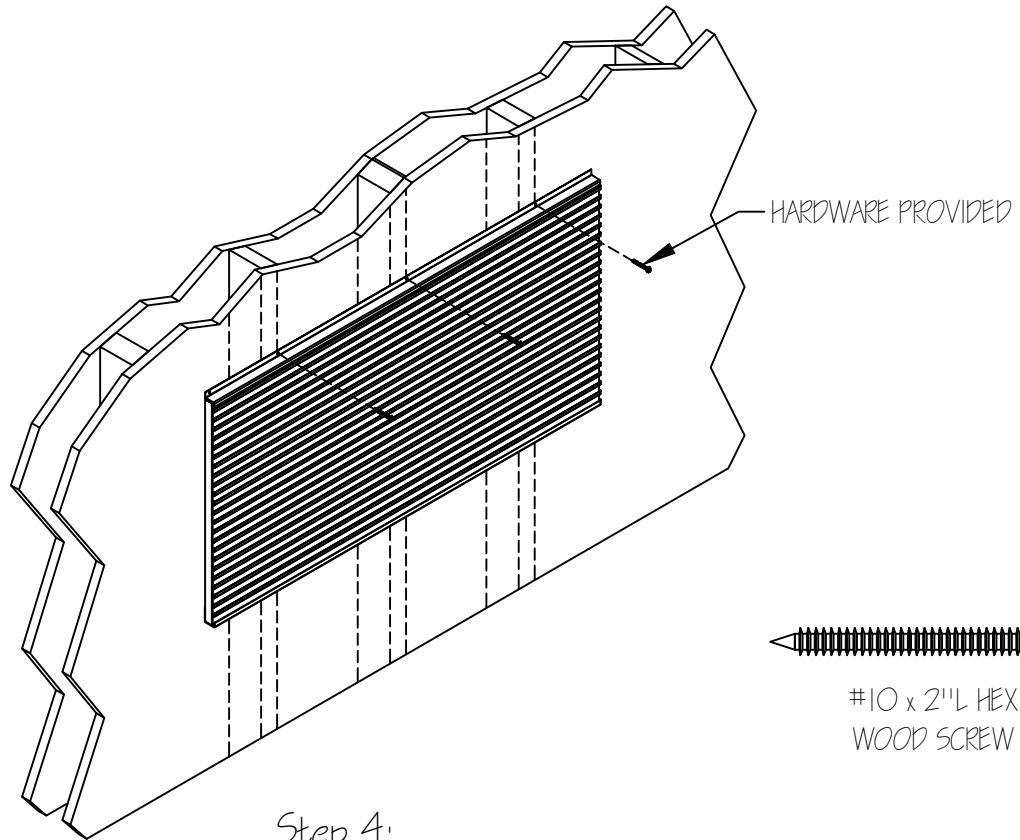
Arrange accessories onto the patented Uniweb shape as desired

UNIWEB INC.

Installation Instructions

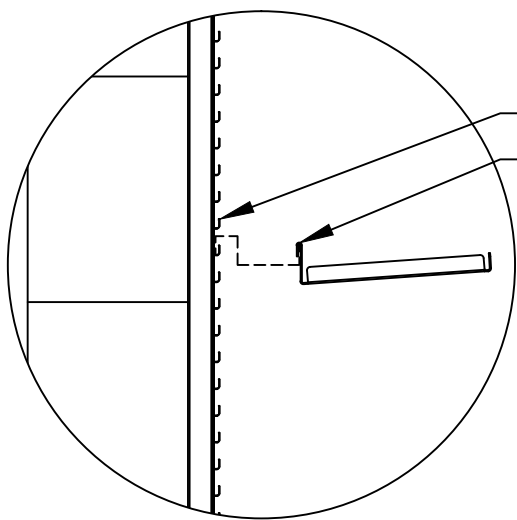


SIDED VIEW



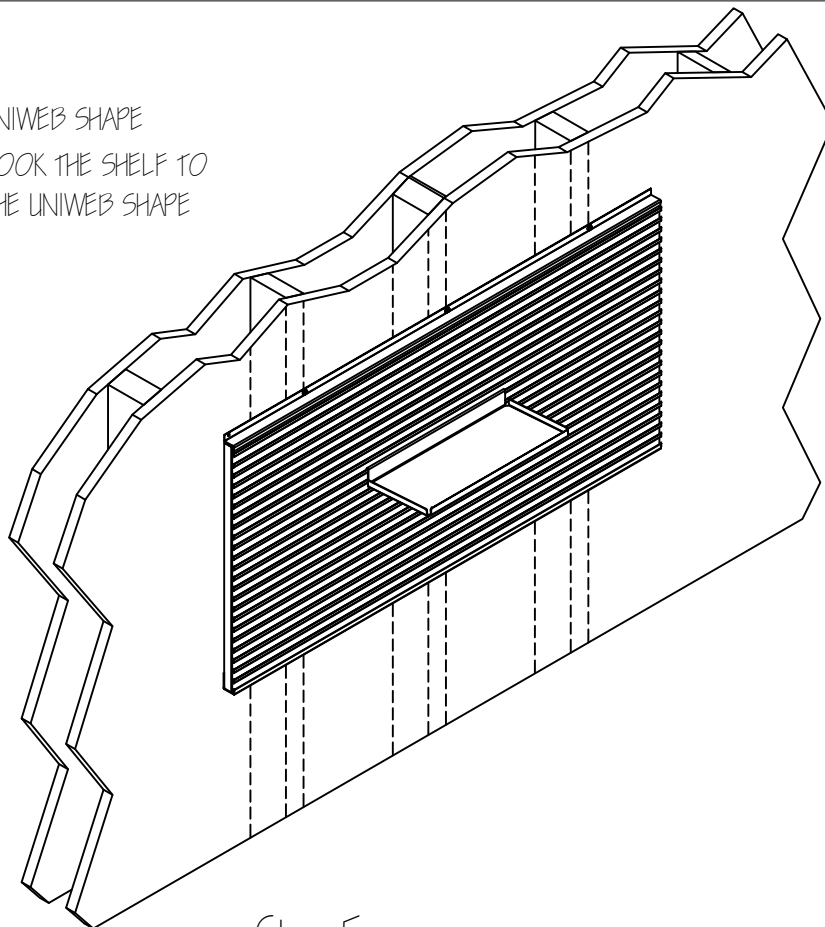
Step 4:

Place the Welded panel into the bottom retainer at an angle, Then push the panel flush to the wall and fasten through the top retainer and into the studs!



SIDED VIEW

UNIWEB SHAPE
HOOK THE SHELF TO
THE UNIWEB SHAPE



Step 5:

Arrange accessories onto the patented Uniweb shape as desired